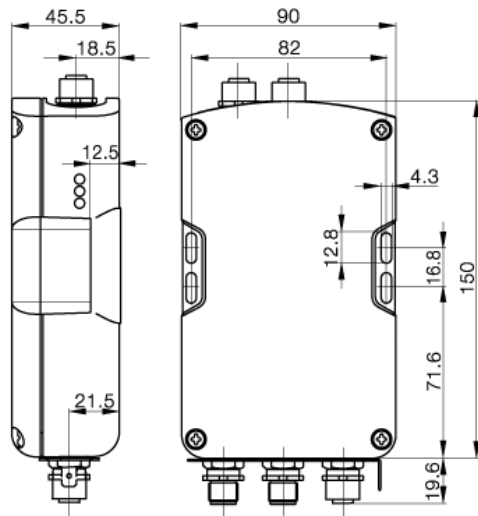


PI0272



### Technical Data

Size	150x90x45,5
Function	read/write
Supply Voltage	24 V DC $\pm$ 20%
Ripple	<10%
Current draw	<400mA
Operating temperature	0...60°C
Storage temperature	0...60°C
Protection per IEC 60529	IP 65 / NEMA 12
Read/Write Head ports	2 external
Connection	2 Connectors round 5-pin, B-coded, 1 Connector round 5-pin
Connection	2 read/write heads BIS M-3_ _
Interface/Software	Profibus-DP
Description	Processor Unit for simultanous using of both read/write heads, for connecting 2 external read/write heads. Connection with Profibus
Accessories	Software GSD-file included